



Addressable Manual Pull Station

Product Overview

Fireguard Model FGMS Manual Pull Station is a high quality non-toxic die-cast manual pull station. Low profile design and smooth edges offer an attractive yet functional design. All components are pre-painted or have plated surfaces to inhibit corrosion. The FGMS pull station can be used with or without a break glass rod with replacement requiring no special tools.

iQ 515MM Monitor Module facilitates third party devices to interface with Fireguard make addressable panel. Monitor Module is an input interface device for devices like security contacts, waterflow switches, pull stations etc. DIP switches are provided for addressing of the module. The Monitor circuit is supervised for faulty condition.

Features

- Lift and pull
- Break glass cover
- Weather and Explosion proof versions
- All stations offer hex screw or key lock access.
- Analogue Communication with the panel.
- Module Addressing by 8 way DIP switches.
- Low Standby Current.
- Available with suitable back boxes.
- Modular Construction.



Construction Material

- Painted Die Cast Housing.
- 14 Ga plated steel black plate.
- Corrosion Inhibited surfaces.
- Single Gang Mounting

Mechanical Specification

Manual Pull Station With Back Box

Width : 82.5 mm
Length : 123.8 mm
Depth : 76.7 mm
Weight : 1120 grams

Manual Pull Station Without Back Box

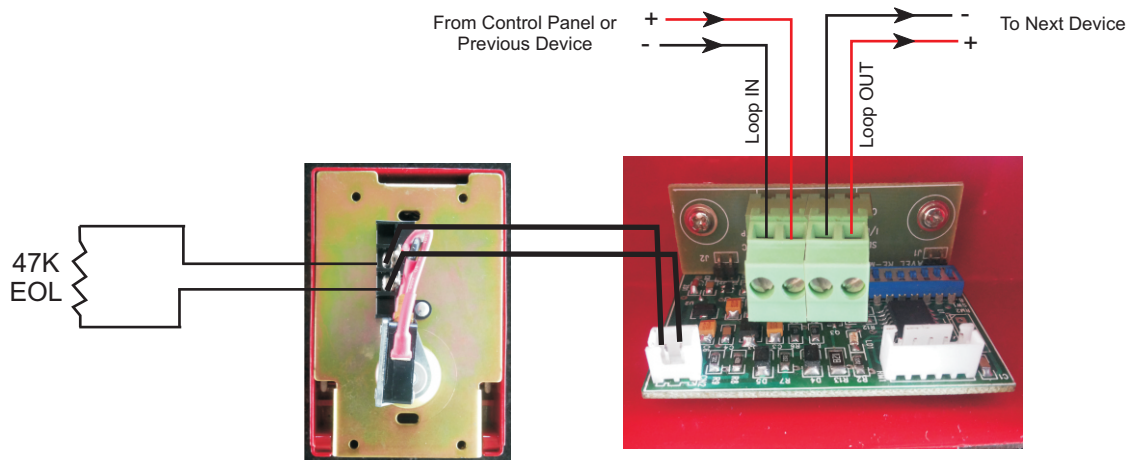
Width : 81.28 mm
Length : 120.65 mm
Depth : 22.225 mm
Weight : 420 grams



Electrical Specification

Operating Voltage	:	24 VDC Nominal.
Alarm Current	:	2.7 mA Max.(Latched)
Standby Current	:	0.7 mA
End of Line Resistor	:	47K Ohms
Communication Line		
Loop Impedance	:	40 Ohms
Temperature Range	:	0°C to 49°C / 32°- 120°F
Humidity	:	93 ± 2% RH (non-condensing) at 32 ±2° C / 90 ±3° F.

Wiring Diagram



Ordering Information

MODELS	DESCRIPTION	COLOR
FGMS-1T	Manual Pull Station Single Action	RED
FGMS-1T-LP	Manual Pull Station Dual Action	RED
FGMS-B	Manual Pull Station Back Box	RED

*In the interest of improving quality and design, Fireguard reserve the right to change the specification without prior notice.