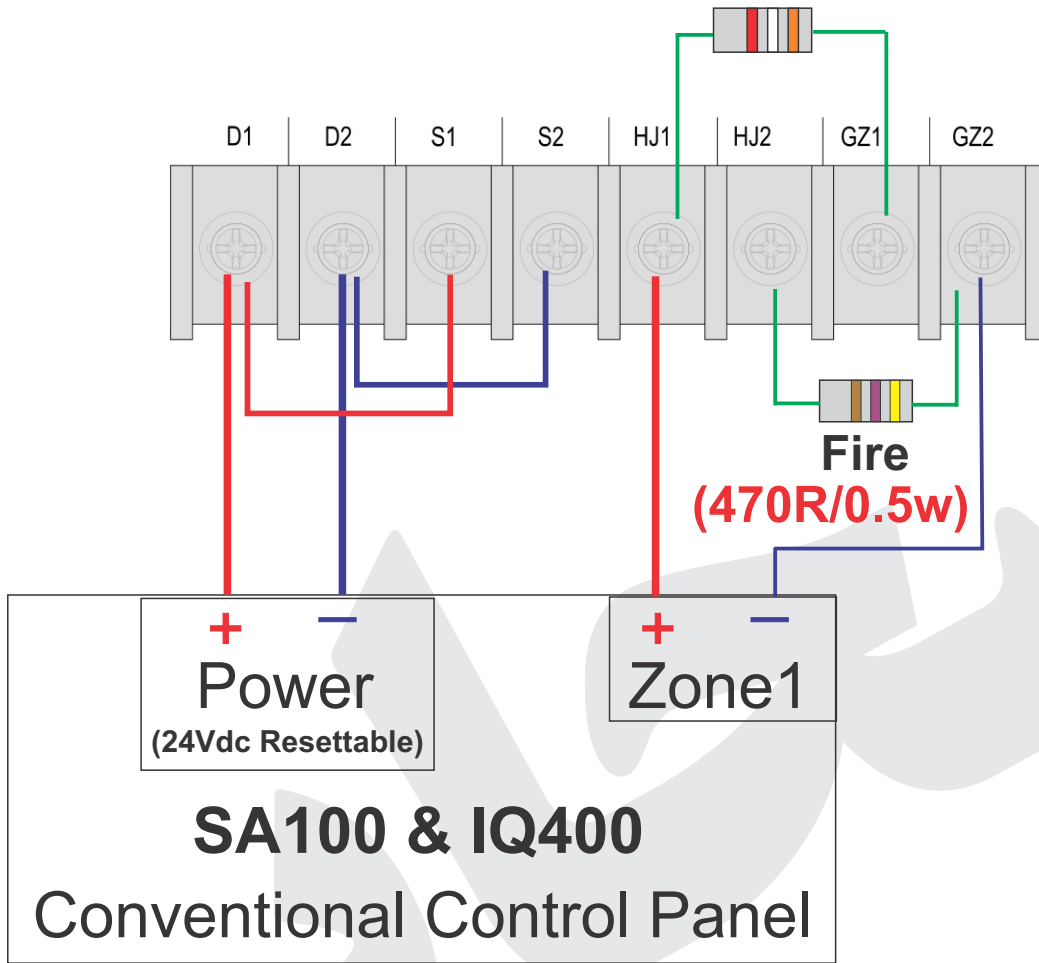


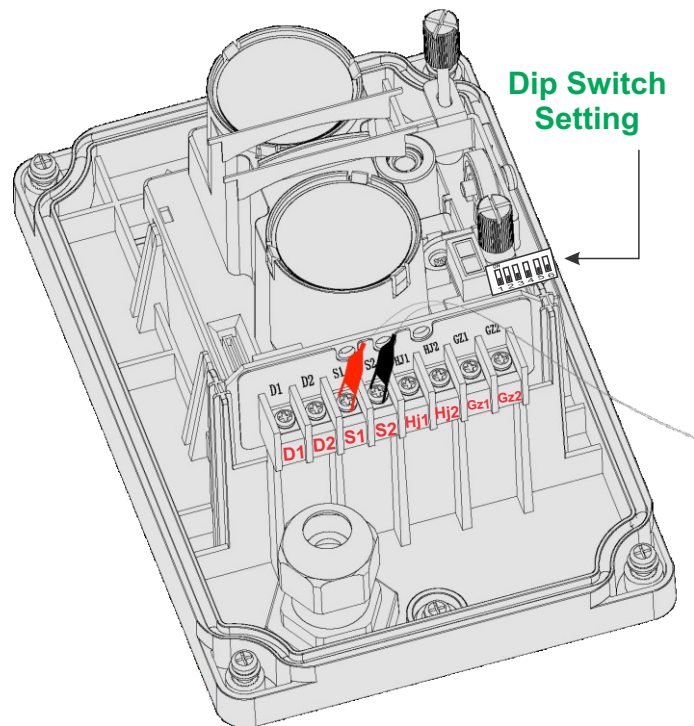
- 1 - Terminal D1 (+) and D2 (-) for connecting Power supply [24VDC]
- 2 - Terminal S1 and S2 for connecting handheld programmer when setting parameters, **and then connecting to terminal D1 and D2 respectively when finishing config**
- 3 - Terminal HJ1 and HJ2 for connecting Fire signal relay output [Normally Open]
- 4 - Terminal GZ1 and GZ2 for connecting Fault signal relay output [Normally Close]

## New Beam Detector With Dip Switch

**E.O.L**  
(Default : 3.9K/0.5w)



Sensitivity Span	Level		
	Level 1	Level 2	Level 3
Span 1: 8~20m	ON 1 2 3 4 5 6	ON 1 2 3 4 5 6	ON 1 2 3 4 5 6
Span 2: 20~40m	ON 1 2 3 4 5 6	ON 1 2 3 4 5 6	ON 1 2 3 4 5 6
Span 3: 40~70m	ON 1 2 3 4 5 6	ON 1 2 3 4 5 6	ON 1 2 3 4 5 6
Span 4: 70~100m	ON 1 2 3 4 5 6	ON 1 2 3 4 5 6	ON 1 2 3 4 5 6



**نکته: لطفاً مقاومت ته خط (E.O.L) را با توجه به نوع پنل اعلام حریق خود (که معمولاً روی زون های پنل نصب می باشد) استفاده نمایید.**