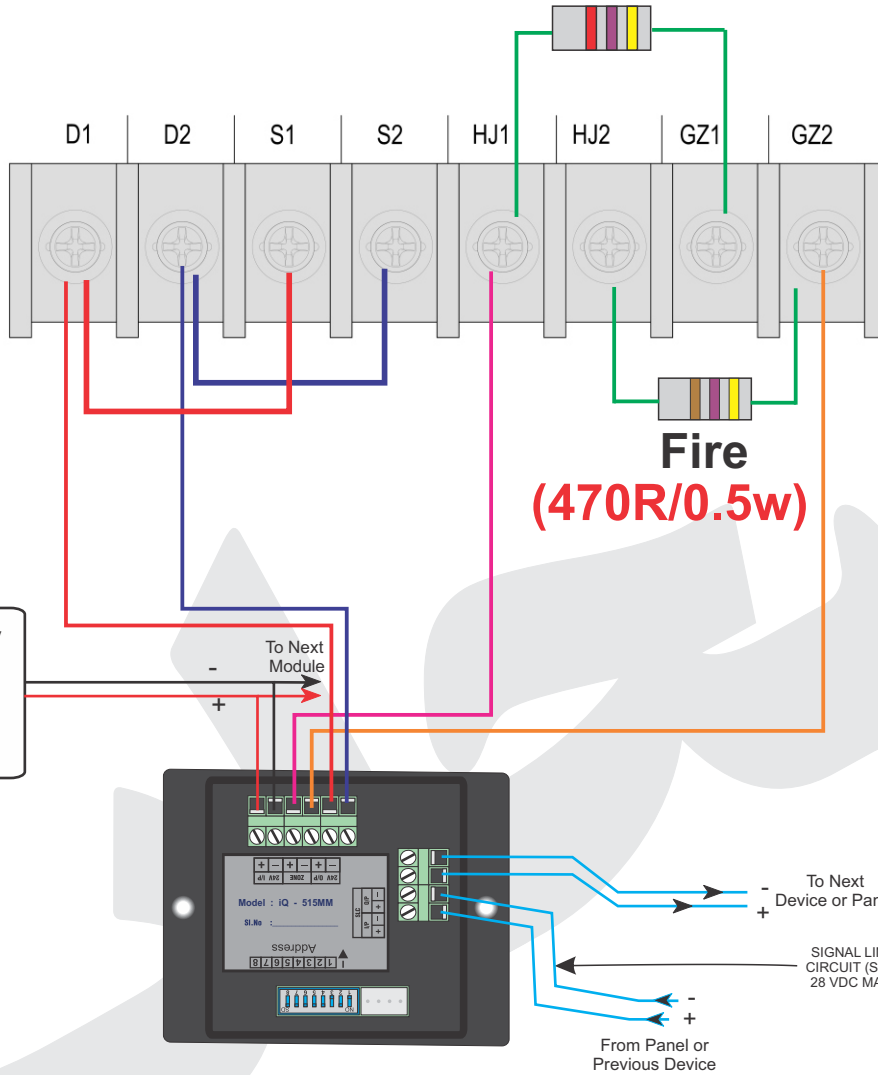


- 1 - Terminal D1 (+) and D2 (-) for connecting Power supply [24VDC]
- 2 - Terminal S1 and S2 for connecting handheld programmer when setting parameters, **and then connecting to terminal D1 and D2 respectively when finishing config**
- 3 - Terminal HJ1 and HJ2 for connecting Fire signal relay output [Normally Open]
- 4 - Terminal GZ1 and GZ2 for connecting Fault signal relay output [Normally Close]

Connect Beam Detector(Dip Switch) With IQ515

E.O.L
(4.7K / 0.5w)



24 VDC Power Supply
Regulated, Isolated,
Power Limited as per
NFPA 70.
Fire Listed

Sensitivity / Span	Level		
	Level 1	Level 2	Level 3
Span 1: 8~20m	ON 	ON 	ON
Span 2: 20~40m	ON 	ON 	ON
Span 3: 40~70m	ON 	ON 	ON
Span 4: 70~100m	ON 	ON 	ON

